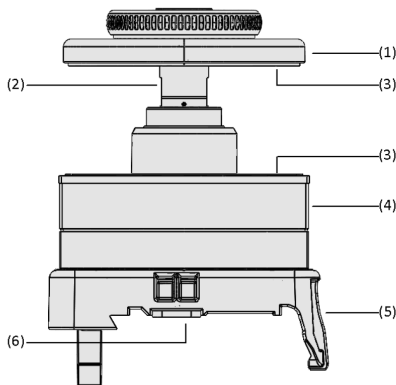


Mechanical Clamps VCMC-S6-QUICK

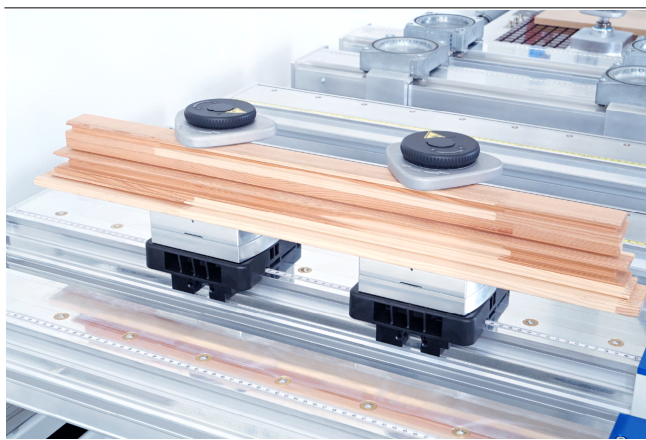
For TV systems from SCM · Clamping range up to 100 mm · With quick adjustment



Mechanical Clamps VCMC-S6-QUICK



System design Mechanical Clamps VCMC-S6-QUICK



Mechanical clamps VCMC-S6-QUICK for clamping of frame parts

Suitability for industry specific applications

Application

- Mechanical clamping system for CNC machining centers from SCM / Morbidelli with TV console tables
- Particularly suitable for narrow and curved workpieces such as frame parts and window profiles
- Set-up is efficient, safe and tool-free; the clamp is mechanically pre-fixed
- Tool-free adjustment of the clamping height to the workpiece within seconds; extension of the clamping range possible through extension
- Clamping of the workpiece by activating the vacuum on the machine table

Design

- Triangular clamping disc (1) is adjustable in clamping height and contact surface on the workpiece without tools and is lowered by activating the vacuum
- Extension (2) for adjusting the clamping range
- Friction material (3) for optimizing lateral force absorption
- Robust main body (4) made of aluminum with dovetail mount (5) for fixing on TV consoles from SCM / Morbidelli
- Durable sealing frame (6) optimized for effortless sliding of the clamp on the console

Product highlights

- Triangular clamping disc with tool-free quick adjustment enables shortest set-up times
- Holds even narrow workpieces securely with clamping forces of up to 700 N
- No additional medium required, as the clamp can be activated via operating vacuum of the CNC machining centre
- Special friction materials on the clamping disc and clamping surface ensure a secure hold even with high machining forces

Mechanical Clamps VCMC-S6-QUICK

For TV systems from SCM · Clamping range up to 100 mm · With quick adjustment

Designation code Mechanical Clamps VCMC-S6-QUICK

VCMC-S6	–	QUICK	–	150x135	–	x75	–	15-85
1		2		3		4		5

1 – Abbreviated designation

Code	Type
VCMC-S6	Mechanical clamp, SCM/Morbidelli TV system

2 – Design

Code	Type
QUICK	With tool-free height adjustment

3 – Dimensions

Code	LxW in mm
150x135	150x135

4 – Clamping height

Code	H in mm
x75...x110	75 and 110

5 – Clamping range

Code	Clamping range in mm
15-85...10-100	15-58 and 10-100

The mechanical clamp VCMC-S6-QUICK is delivered assembled. The product consists of:

- Clamping disc with quick adjustment
- Main body made of aluminum
- Dovetail mount

Available spare parts: clamping disc, sealing frame

Available accessories: clamping range extension

Ordering data Mechanical Clamps VCMC-S6-QUICK

Type	Part no.
VCMC-S6-QUICK 150x135x75 15-85	10.01.12.04765
VCMC-S6-QUICK 150x135x110 10-100	10.01.12.04777

Ordering data Spare parts Mechanical Clamps VCMC-S6-QUICK

Type	Spare parts	Part no.
VCMC-S6-QUICK 150x135x75 15-85	Clamping disc SPAN-TELL 110x30 EXZ VCMC	10.01.12.04688
VCMC-S6-QUICK 150x135x110 10-100	Clamping disc SPAN-TELL 110 EXZ VCMC	10.01.12.04239
Spare parts		Part no.
Sealing frame (bottom)	VCDR 135x25.5x6 VCBL	10.01.12.04560

Ordering data Accessories Mechanical Clamps VCMC-S6-QUICK

Type	Accessories	Part no.
VCMC-S6-QUICK 150x135x75 15-85	Extension with hexagon VRL-S M20x1x35	10.01.12.04374

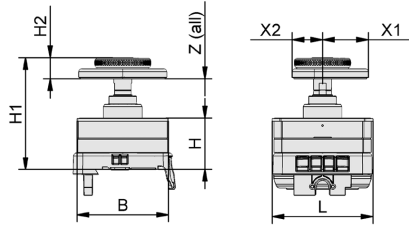
Technical data Mechanical Clamps VCMC-S6-QUICK

Type	Clamping range [mm]
VCMC-S6-QUICK 150x135x75 15-85	15.0 ... 85.0 mm
VCMC-S6-QUICK 150x135x110 10-100	10.0 ... 100.0 mm

Mechanical Clamps VCMC-S6-QUICK

For TV systems from SCM · Clamping range up to 100 mm · With quick adjustment

Design data Mechanical Clamps VCMC-S6-QUICK



VCMC-S6-QUICK

Mechanical Clamps VCMC-S6-QUICK

For TV systems from SCM · Clamping range up to 100 mm · With quick adjustment

Design data Mechanical Clamps VCMC-S6-QUICK

Type	B [mm]	H [mm]	H1 [mm]	H2 [mm]	L [mm]	X1 [mm]	X2 [mm]	Z (Stroke)
VCMC-S6-QUICK 150x135x75 15-85	133	75	192.0	30	146.5	66.5	44	9
VCMC-S6-QUICK 150x135x110 10-100	133	110	248.4	30	146.5	66.5	44	10